



# MARK AND BRAND APPLICATION

THE EFFECTIVE DATE OF THIS APPLICATION IS AUGUST 31, 2021 TO AUGUST 30, 2031  
Renewal of this Brand/Mark must be filed during the period August 31, 2021, to February 28, 2022  
This form is to be used to record a single brand or mark for one or more locations on an animal.

Please print or type information (\* Required information):

The undersigned hereby makes application for the registration and recording of the following mark(s) and/or brand(s) by the County Clerk of Hidalgo County, Texas:




\* New:  Renewal:  Release:  Transfer:

### Contact Information:

\* Owner/Agent: James McAllen, Jr.  
Ranch/Business Name: Tres Hojas, LLC  
\* Address: P. O. Box 1139  
\* City: Edinburg \* State: TX \* Zip: 78540-1139  
Phone: 956 383 1917 Email: James@McAllenRanch.com

### Brand/Mark Information:

\* Specie: Cattle:  Horse:  Other: \_\_\_\_\_ Ear Marks Only:   
Volume/Book: \_\_\_\_\_ Page: \_\_\_\_\_ Cert#: 67

BRAND	MARK	
Draw the Brand	Right Ear	Left Ear
		

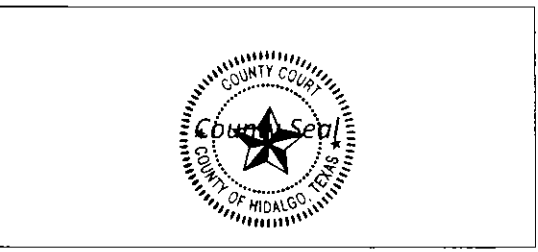
\* Brand Location on Animal:  Left  Right  All Locations  Shoulder  Side/Rib  Flank  Hip/Loin  Thigh  Jaw/Face/Nose  Tail/Back  
Electronic Chip#: on occasion  
Tattoos: on occasion

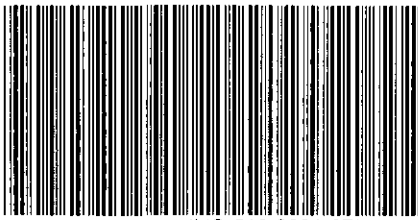
\* Brand Description: Three Leaf Clover

\* Signature of Applicant: [Signature] \*Date: 9/1/21  
(Owner/Agent)

By: [Signature] Deputy, ARTURO GUAJARDO, JR. County Clerk  
(Deputy's Name) (County Clerk's Name)

Pursuant to Texas Agriculture Code 144.041, a copy of this application shall be forwarded to Texas and Southwestern Cattle Raisers Association.  
Email: [brands@tscra.org](mailto:brands@tscra.org)  
Fax: 817-887-4402  
Mail: PO Box 101988, Fort Worth, TX 76185  
Phone: 800-242-7820





\*VG-516-2021-67\*

Hidalgo County  
Arturo Guajardo Jr.  
County Clerk  
Edinburg, Texas 78540

Document No: 67

Billable Pages: 1

Recorded On: September 22, 2021 01:44 PM

Number of Pages: 2

\*\*\*\*\*Examined and Charged as Follows\*\*\*\*\*

Total Recording: \$ 26.00

\*\*\*\*\*THIS PAGE IS PART OF THE DOCUMENT\*\*\*\*\*

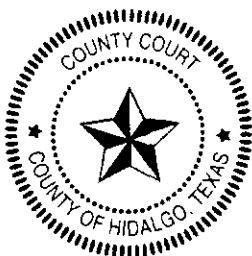
Any provision herein which restricts the Sale, Rental, or use of the described REAL PROPERTY because of color or race is invalid and unenforceable under federal law.

**File Information:**

Document No: 67  
Receipt No: 20210922000279  
Recorded On: September 22, 2021 01:44 PM  
Deputy Clerk: Rita Gonzalez  
Station: CH-1-CC-K05

**Record and Return To:**

JAMES MCALLEN III



STATE OF TEXAS  
COUNTY OF HIDALGO

I hereby certify that this instrument was FILED in the File Number sequence on the date/time printed hereon, and was duly RECORDED in the Official Records of Hidalgo County, Texas.

Arturo Guajardo Jr.  
County Clerk  
Hidalgo County, Texas



### MARK AND BRAND APPLICATION

THE EFFECTIVE DATE OF THIS APPLICATION IS AUGUST 31, 2021 TO AUGUST 30, 2031  
Renewal of this Brand/Mark must be filed during the period August 31, 2021, to February 28, 2022  
This form is to be used to record a single brand or mark for one or more locations on an animal.

Please print or type information (\* Required information):

The undersigned hereby makes application for the registration and recording of the following mark(s) and/or brand(s) by the County Clerk of Hidalgo County, Texas:


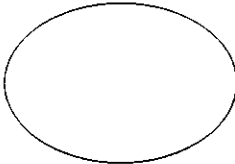
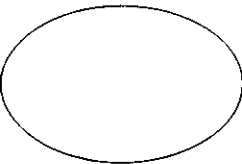
\* New:  Renewal:  Release:  Transfer:

Contact Information:

\* Owner/Agent: James McAllen, Jr.  
Ranch/Business Name: Tres Hojas, LLC  
\* Address: P. O. Box 1139  
\* City: Edinburg \* State: TX \* Zip: 78540-1139  
Phone: 956 383 1917 Email: James@McAllenRanch.com

Brand/Mark Information:

\* Specie: Cattle:  Horse:  Other: \_\_\_\_\_ Ear Marks Only:   
Volume/Book: \_\_\_\_\_ Page: \_\_\_\_\_ Cert#: 68

BRAND	MARK	
Draw the Brand	Right Ear	Left Ear
		

\* Brand Location on Animal:  Left  Right  All Locations  Shoulder  Side/Rib  Flank  Hip/Loin  Thigh  Jaw/Face/Nose  Tail/Back  
Electronic Chip#: on occasion  
Tattoos: on occasion

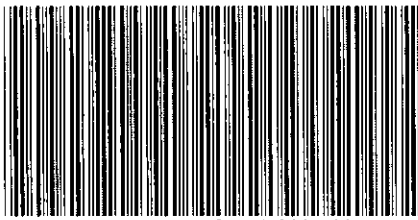
\* Brand Description: Three Leaf Clover (note: sometimes freeze brands)

\* Signature of Applicant: [Signature] \*Date: 9/1/21  
(Owner/Agent)

By: [Signature] Deputy, ARTURO GUAJARDO, JR. County Clerk  
(Deputy's Name) (County Clerk's Name)

Pursuant to Texas Agriculture Code 144.041, a copy of this application shall be forwarded to Texas and Southwestern Cattle Raisers Association.  
Email: [brands@tsra.org](mailto:brands@tsra.org)  
Fax: 817-887-4402  
Mail: PO Box 101988, Fort Worth, TX 76185  
Phone: 800-242-7820





\*VG-516-2021-68\*

Hidalgo County  
Arturo Guajardo Jr.  
County Clerk  
Edinburg, Texas 78540

Document No: 68

Billable Pages: 1

Recorded On: September 22, 2021 01:49 PM

Number of Pages: 2

\*\*\*\*\*Examined and Charged as Follows\*\*\*\*\*

Total Recording: \$ 26.00

\*\*\*\*\*THIS PAGE IS PART OF THE DOCUMENT\*\*\*\*\*

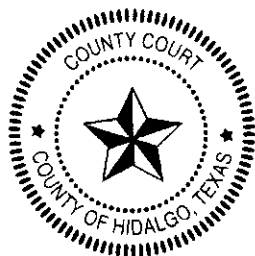
Any provision herein which restricts the Sale, Rental, or use of the described REAL PROPERTY because of color or race is invalid and unenforceable under federal law.

**File Information:**

Document No: 68  
Receipt No: 20210922000282  
Recorded On: September 22, 2021 01:49 PM  
Deputy Clerk: Rita Gonzalez  
Station: CH-1-CC-K05

**Record and Return To:**

JAMES MCALLEN, JR.



STATE OF TEXAS  
COUNTY OF HIDALGO

I hereby certify that this Instrument was FILED in the File Number sequence on the date/time printed hereon, and was duly RECORDED in the Official Records of Hidalgo County, Texas.

Arturo Guajardo Jr.  
County Clerk  
Hidalgo County, Texas