



MARK AND BRAND APPLICATION

THE EFFECTIVE DATE OF THIS APPLICATION IS AUGUST 31, 2021 TO AUGUST 30, 2031
Renewal of this Brand/Mark must be filed during the period August 31, 2021, to February 28, 2022
This form is to be used to record a single brand or mark for one or more locations on an animal.

Please print or type information (* Required information):

The undersigned hereby makes application for the registration and recording of the following mark(s) and/or brand(s) by the County Clerk of Hidalgo County, Texas:

* New: Renewal: Release: Transfer:

Contact Information:

* Owner/Agent: James A. McAllen
Ranch/Business Name: James A. McAllen Livestock
* Address: P. O. Box 1139
* City: Edinburg * State: TX * Zip: 78540-1139
Phone: 956 383 1917 Email: Jim@McAllenRanch.com

Brand/Mark Information:

* Specie: Cattle: Horse: Other: _____ Ear Marks Only:
Volume/Book: _____ Page: _____ Cert#: 69

BRAND	MARK	
Draw the Brand	Right Ear	Left Ear

* Brand Location on Animal: Left Right All Locations Shoulder Side/Rib Flank Hip/Loin Thigh Jaw/Face/Nose Tail/Back
Electronic Chip#: on occasion
Tattoos: on occasion

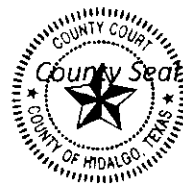
* Brand Description: Bar SM Bar with running M

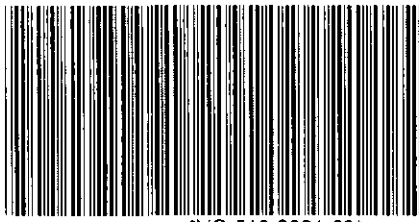
* Signature of Applicant: [Signature] *Date: 1 Sept 2021

By: [Signature] Deputy, ARTURO GUAJARDO, JR. County Clerk
(Deputy's Name) (County Clerk's Name)

Pursuant to Texas Agriculture Code 144.041, a copy of this application shall be forwarded to Texas and Southwestern Cattle Raisers Association.

Email: brands@tsra.org
Fax: 817-887-4402
Mail: PO Box 101988, Fort Worth, TX 76185
Phone: 800-242-7820





VG-516-2021-69

Hidalgo County
Arturo Guajardo Jr.
County Clerk
Edinburg, Texas 78540

Document No: 69

Billable Pages: 1

Recorded On: September 22, 2021 01:56 PM

Number of Pages: 2

*****Examined and Charged as Follows*****

Total Recording: \$ 26.00

*****THIS PAGE IS PART OF THE DOCUMENT*****

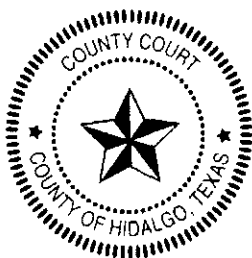
Any provision herein which restricts the Sale, Rental, or use of the described REAL PROPERTY because of color or race is invalid and unenforceable under federal law.

File Information:

Document No: 69
Receipt No: 20210922000289
Recorded On: September 22, 2021 01:56 PM
Deputy Clerk: Rita Gonzalez
Station: CH-1-CC-K05

Record and Return To:

James A. McAllen



STATE OF TEXAS
COUNTY OF HIDALGO

I hereby certify that this Instrument was FILED in the File Number sequence on the date/time printed hereon, and was duly RECORDED in the Official Records of Hidalgo County, Texas.

Arturo Guajardo Jr.
County Clerk
Hidalgo County, Texas



MARK AND BRAND APPLICATION

THE EFFECTIVE DATE OF THIS APPLICATION IS AUGUST 31, 2021 TO AUGUST 30, 2031
Renewal of this Brand/Mark must be filed during the period August 31, 2021, to February 28, 2022
This form is to be used to record a single brand or mark for one or more locations on an animal.

Please print or type information (* Required information):

The undersigned hereby makes application for the registration and recording of the following mark(s) and/or brand(s) by the County Clerk of Hidalgo County, Texas:


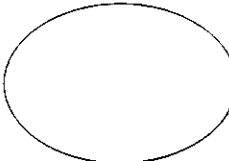
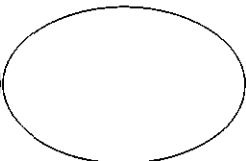
* New: Renewal: Release: Transfer:

Contact Information:

* Owner/Agent: James A. McAllen
Ranch/Business Name: James A. McAllen Livestock
* Address: P. O. Box 1139
* City: Edinburg * State: TX * Zip: 78540-1139
Phone: 956 383-1960 Email: Jim@McallenRanch.com

Brand/Mark Information:

* Specie: Cattle: Horse: Other: _____ Ear Marks Only:
Volume/Book: _____ Page: _____ Cert#: 70

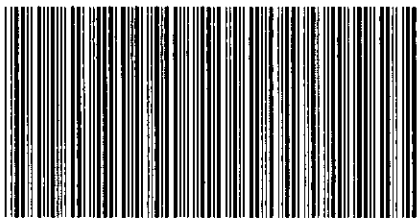
BRAND	MARK	
Draw the Brand	Right Ear	Left Ear
		

* Brand Location on Animal: Left Right All Locations Shoulder Side/Rib Flank Hip/Loin Thigh Jaw/Face/Nose Tail/Back Electronic Chip#: _____ Tattoos: _____
* Brand Description: Bar S and Running M bar (sometimes freeze brand)

* Signature of Applicant: [Signature] *Date: 2 Sept 2021
By: Rita Gonzalez Deputy, ARTURO GUAJARDO, JR. County Clerk
(Deputy's Name) (County Clerk's Name)

Pursuant to Texas Agriculture Code 144.041, a copy of this application shall be forwarded to Texas and Southwestern Cattle Raisers Association.
Email: brands@tscra.org
Fax: 817-887-4402
Mail: PO Box 101988, Fort Worth, TX 76185
Phone: 800-242-7820





VG-516-2021-70

Hidalgo County
Arturo Guajardo Jr.
County Clerk
Edinburg, Texas 78540

Document No: 70

Billable Pages: 1

Recorded On: September 22, 2021 02:00 PM

Number of Pages: 2

*****Examined and Charged as Follows*****

Total Recording: \$ 26.00

*****THIS PAGE IS PART OF THE DOCUMENT*****

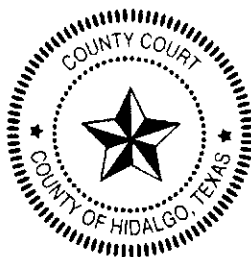
Any provision herein which restricts the Sale, Rental, or use of the described REAL PROPERTY because of color or race is invalid and unenforceable under federal law.

File Information:

Document No: 70
Receipt No: 20210922000294
Recorded On: September 22, 2021 02:00 PM
Deputy Clerk: Rita Gonzalez
Station: CH-1-CC-K05

Record and Return To:

JAMES A MCALLEN



STATE OF TEXAS
COUNTY OF HIDALGO

I hereby certify that this Instrument was FILED in the File Number sequence on the date/time printed hereon, and was duly RECORDED in the Official Records of Hidalgo County, Texas.

Arturo Guajardo Jr.
County Clerk
Hidalgo County, Texas